

DASH #	VOLTAGE (V)	COIL @25°C (CLASS C)
-1	5	50Ω
-2	12	160Ω
-3	24	360Ω

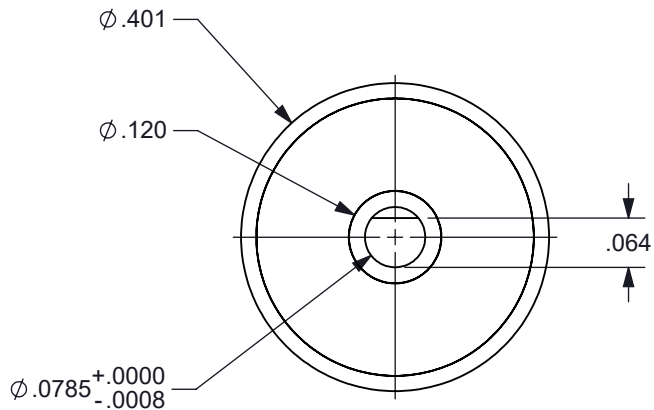
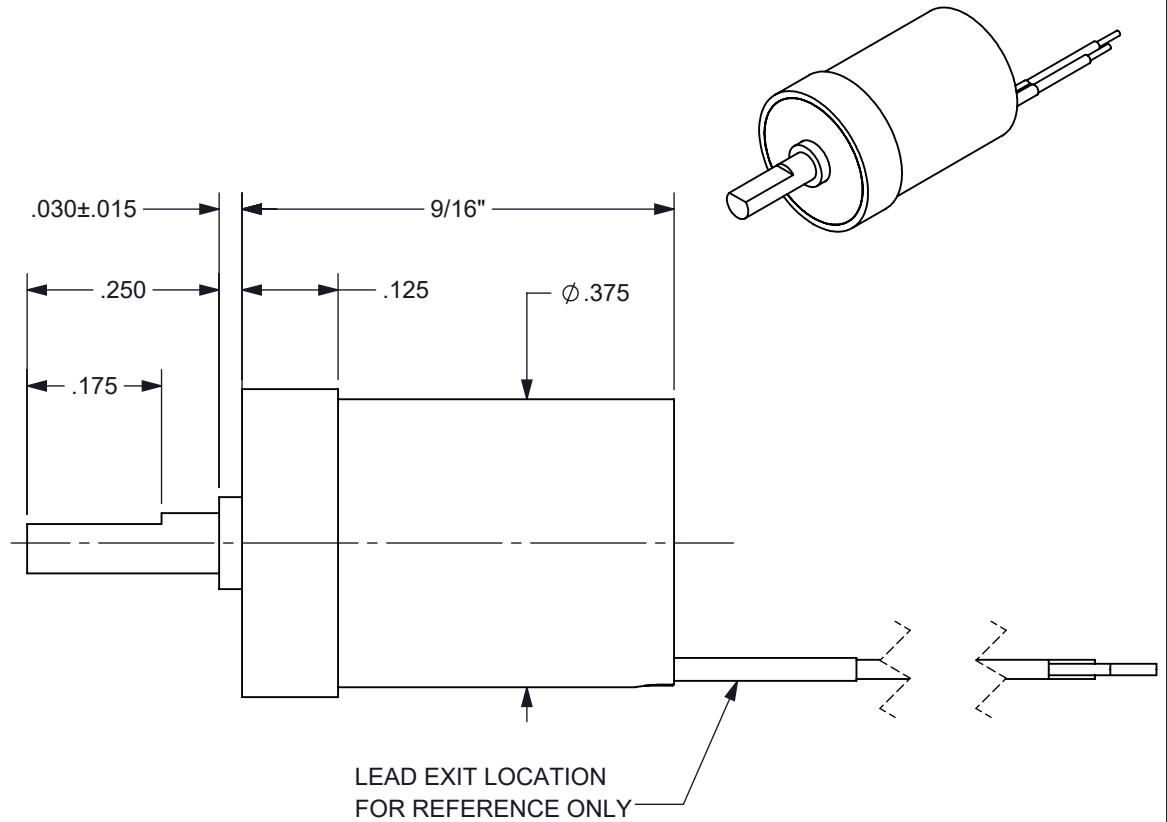


FIGURE 1



PROPRIETARY DOCUMENT

SPECIFICATIONS

- | | |
|--------------------|--|
| 1. PRODUCT TYPE | SELF RESTORING SOLENOID |
| 2. TEMPERATURE | -40°C TO +65°C OPERATING RANGE |
| 3. TRAVEL | 60 ± 2° CW FROM POSITION SHOWN IN FIGURE 1 |
| 4. ROTATION | CW / RED (+) BLACK (-) |
| 5. VOLTAGE | SEE CHART ABOVE |
| 6. COIL | SEE CHART ABOVE |
| 7. LEADS | RED AND BLACK 30 ET TEFLON INSULATED WIRE PER M16878/6 |
| 8. LEAD LENGTH | 12" MIN STRIPPED AND TINNED 1/4" ± 1/8" |
| 9. HOUSING MARKING | BRANDSTROM, P/N DATE CODE |
| 10. HOUSING FINISH | BLACK ANODIZE PER MIL-A-8625F, TYPE II, CLASS II |

DIMENSION TOLERANCES UNLESS OTHERWISE SPECIFIED			
ANGLES	± 1°	2 PLACES	±.010
FRACTIONS	± 1/32	3 PLACES	±.005
	± .015	4 PLACES	±.0005
MATERIAL:	SEE SPECS	DRAWN:	P.T.
FINISH:	SEE SPECS	CHECKED:	P.T.
DATE: 08/17/17	SCALE: NONE	APPROVED:	T.G.A.
TITLE: SELF-RESTORING SOLENOID	DWG NO: A1326	SHEET: 1 of 1	REV: A

**Brandstrom
Instruments**