

DASH #	VOLTAGE (V)	COIL
-1	5	27Ω
-2	12	100Ω
-3	24	600Ω

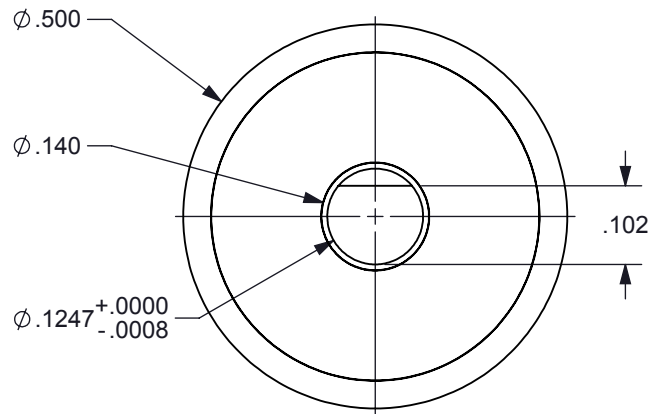
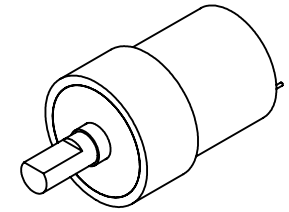
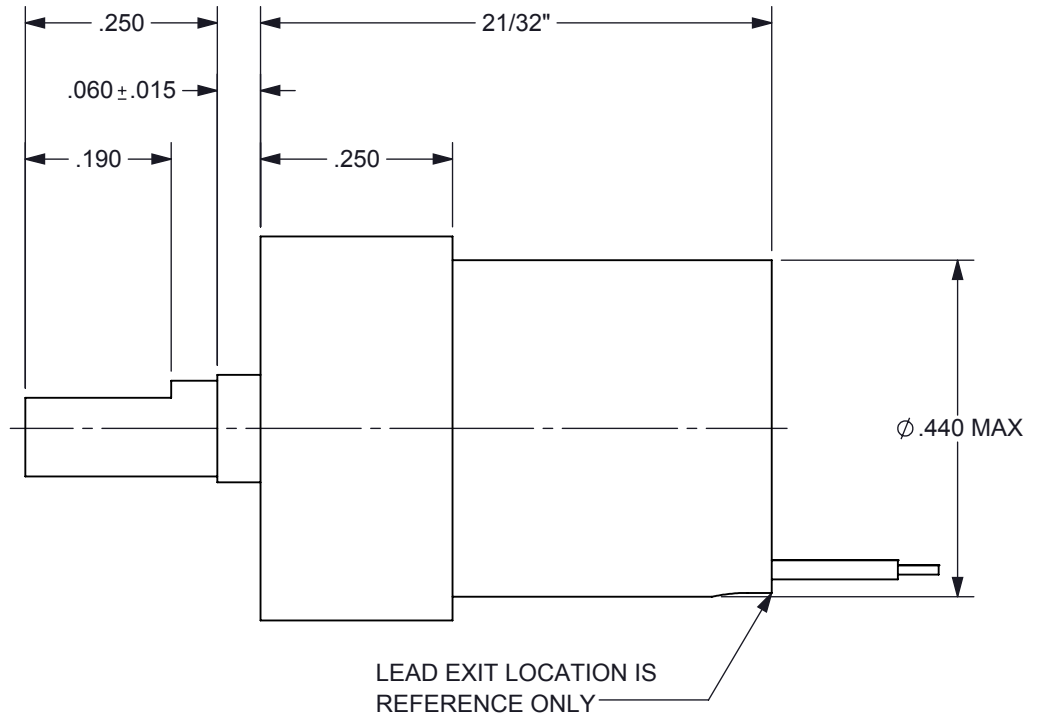


FIGURE 1



**SPECIFICATIONS**

- |                     |  |
|---------------------|--|
| 1. PRODUCT TYPE     | SELF-RESTORING SOLENOID                                |
| 2. TEMPERATURE      | -40°C TO +71°C OPERATING RANGE                         |
| 3. TRAVEL           | 30 ± 2° (CW) FROM POSITION SHOWN IN FIGURE 1           |
| 4. ROTATION         | CW / RED (+) BLACK (-)                                 |
| 5. VOLTAGE          | SEE CHART ABOVE  |
| 6. COIL             | SEE CHART ABOVE [RESISTANCE ± 10% @ 25°C (CLASS H)]    |
| 7. LEADS            | RED AND BLACK 30 ET TEFLON INSULATED WIRE PER M16878/6 |
| 8. LEAD LENGTH      | 12" MIN, STRIPPED AND TINNED 1/8" ± 1/16" AT BOTH ENDS |
| 9. LEAD EXIT        | LEAD EXIT TO BE FILLED WITH SILICONE ADHESIVE          |
| 10. HOUSING MARKING | LASER ENGRAVE BRANDSTROM, P/N, DATE CODE               |
| 11. HOUSING FINISH  | BLACK ANODIZE PER MIL-A-8625F, TYPE II, CLASS II       |

**PROPRIETARY DOCUMENT**

DIMENSION TOLERANCES UNLESS OTHERWISE SPECIFIED			
ANGLES	± 1°	2 PLACES	± .010
FRACTIONS	± 1/32	3 PLACES	± .005
	± .015	4 PLACES	± .0005
MATERIAL:	N/A		DRAWN: P.J.T.
FINISH:	N/A		CHECKED: P.T.
DATE: 4/7/16	SCALE: NONE	APPROVED: T.G.A.	
TITLE: SELF-RESTORING SOLENOID	DWG NO: A1285	SHEET: 1 of 1	REV:

