

DASH #	VOLATGE (V)	COIL
-1	5	7.3Ω
-2	12	55Ω
-3	24	360Ω

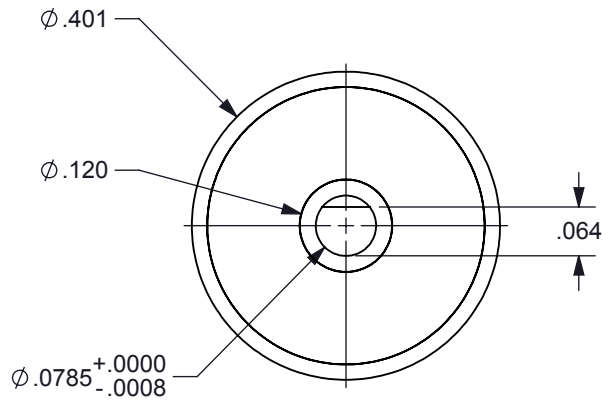
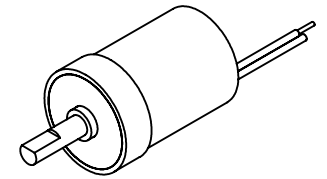
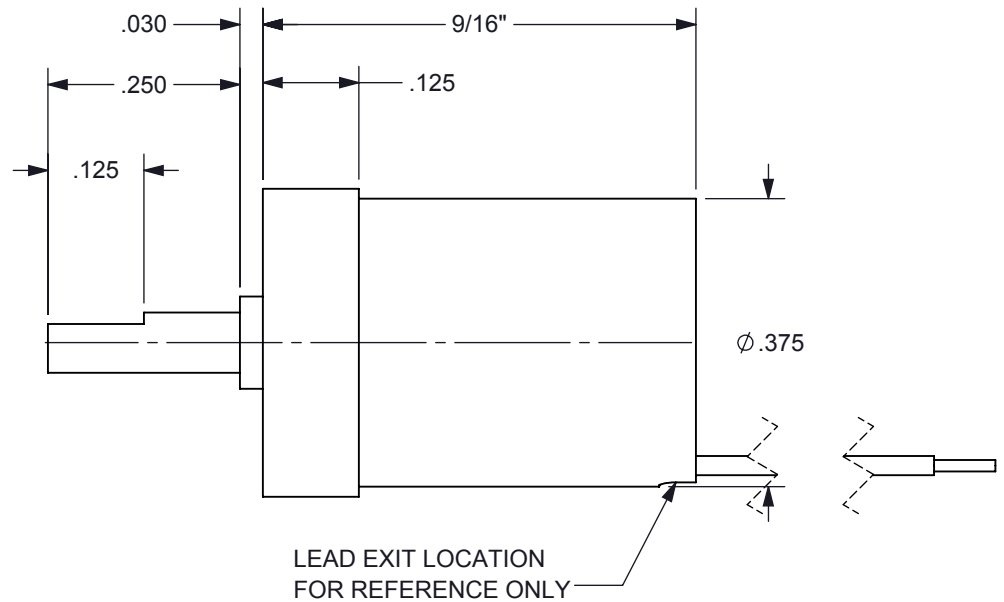


FIGURE 1



SPECIFICATIONS

- | | |
|--------------------|--|
| 1. PRODUCT TYPE | SELF-RESTORING SOLENOID |
| 2. TEMPERATURE | -40°C TO +65°C OPERATING RANGE |
| 3. TRAVEL | 30° ± 2° FROM POSITION SHOWN IN FIGURE 1 |
| 4. ROTATION | CW/RED(+) BLACK(-) |
| 5. VOLTAGE | SEE CHART ABOVE |
| 6. COIL | SEE CHART ABOVE |
| 7. LEADS | RED AND BLACK 30 ET TEFLON INSULATED WIRE PER M16878/6 |
| 8. LEAD LENGTH | 12" MIN STRIPPED AND TINNED 1/8" ± 1/16" |
| 9. HOUSING MARKING | LASER ENGRAVE PART NUMBER, DATE CODE, BRANDSTROM |
| 10. HOUSING FINISH | BLACK ANODIZE PER MIL-A-8625F, TYPE II, CLASS II |

PROPRIETARY DOCUMENT

DIMENSION TOLERANCES UNLESS OTHERWISE SPECIFIED			
ANGLES	± 1°	2 PLACES	± .010
FRACTIONS	± 1/32	3 PLACES	± .005
	± .015	4 PLACES	± .0005
MATERIAL:	SEE SPECS	DRAWN:	P.T.
FINISH:	SEE SPECS	CHECKED:	C.N.M.
DATE: 4/7/16	SCALE: NONE	APPROVED:	T.G.A.
TITLE: SELF-RESTORING SOLENOID	DWG NO: A1278	SHEET: 1 of 1	REV:

**Brandstrom
Instruments**