

DASH #	VOLATGE (V)	COIL
-1	5	40Ω
-2	12	225Ω
-3	24	840Ω

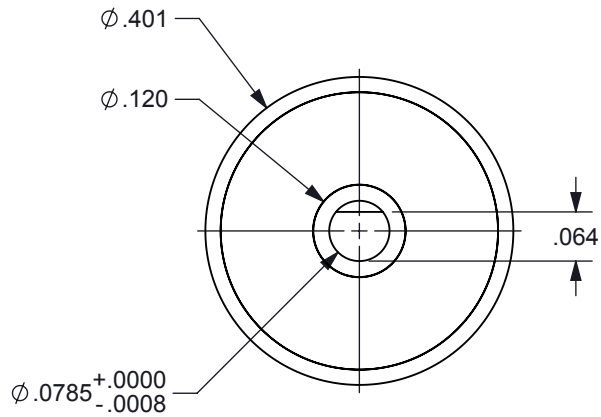
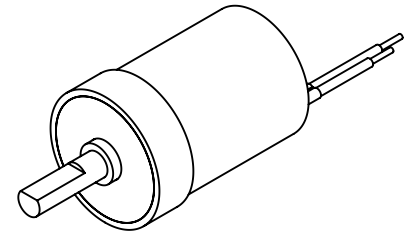
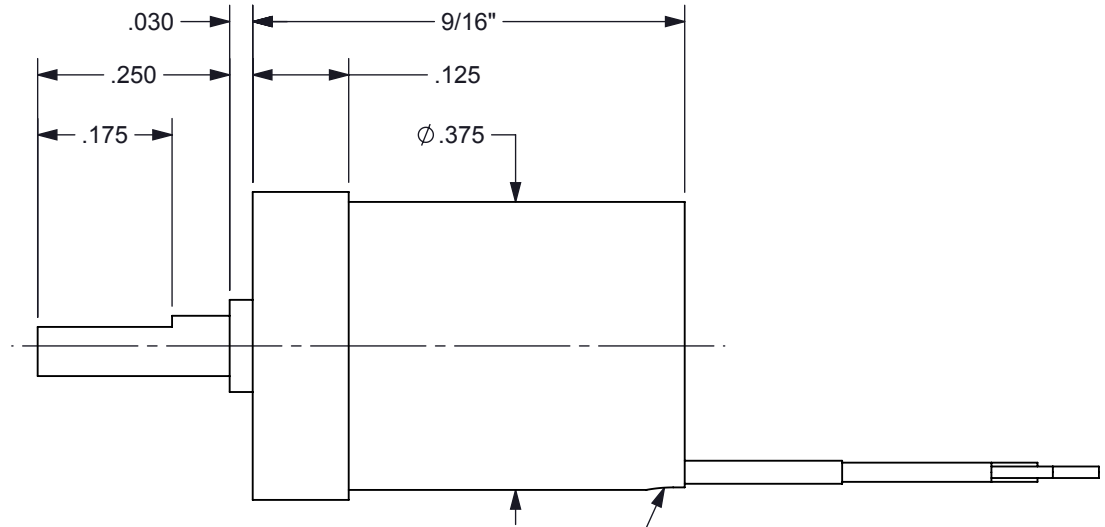


FIGURE 1



LEAD EXIT LOCATION  
FOR REFERENCE ONLY

**SPECIFICATIONS**

- |                    |  |
|--------------------|--|
| 1. PRODUCT TYPE    | SELF-RESTORING SOLENOID                                |
| 2. TEMPERATURE     | -40°C TO +65°C OPERATING RANGE                         |
| 3. TRAVEL          | 45° ± 2° FROM POSITION SHOWN IN FIGURE 1               |
| 4. ROTATION        | CW/RED(+) BLACK(-)                                     |
| 5. VOLTAGE         | SEE CHART ABOVE  |
| 6. COIL            | SEE CHART ABOVE  |
| 7. LEADS           | RED AND BLACK 30 ET TEFLON INSULATED WIRE PER M16878/6 |
| 8. LEAD LENGTH     | 12" MIN STRIPPED AND TINNED 1/8" ± 1/16"               |
| 9. HOUSING MARKING | LASER ENGRAVE PART NUMBER, DATE CODE, BRANDSTROM       |
| 10. HOUSING FINISH | BLACK ANODIZE PER MIL-A-8625F, TYPE II, CLASS II       |

**PROPRIETARY DOCUMENT**

DIMENSION TOLERANCES UNLESS OTHERWISE SPECIFIED			
ANGLES	± 1°	2 PLACES	±.010
FRACTIONS	± 1/32	3 PLACES	±.005
	± .015	4 PLACES	±.0005
MATERIAL:	SEE SPECS	DRAWN:	P.T.
FINISH:	SEE SPECS	CHECKED:	C.N.M.
DATE:	4/7/16	SCALE:	NONE
		APPROVED:	T.G.A.
TITLE:	SELF-RESTORING SOLENOID	DWG NO:	A1278
		SHEET:	1 of 1
		REV:	

**Brandstrom  
Instruments**