

DASH #	VOLTAGE (V)	COIL @25°C (CLASS C)
-1	5	30Ω
-2	12	225Ω
-3	24	360Ω

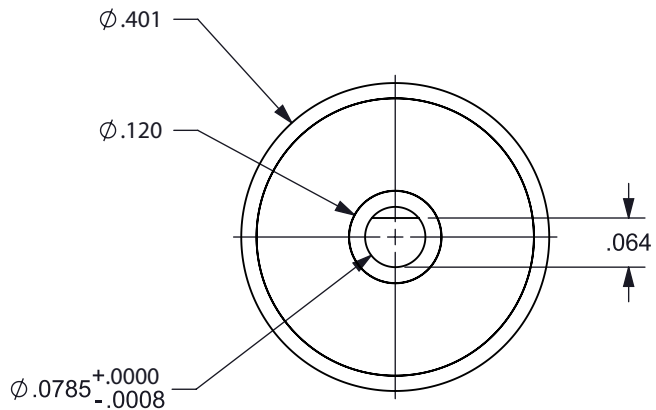
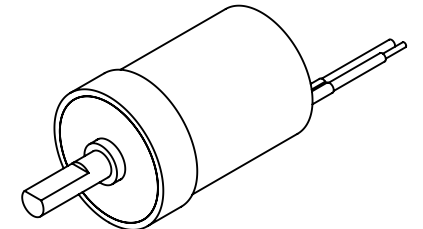
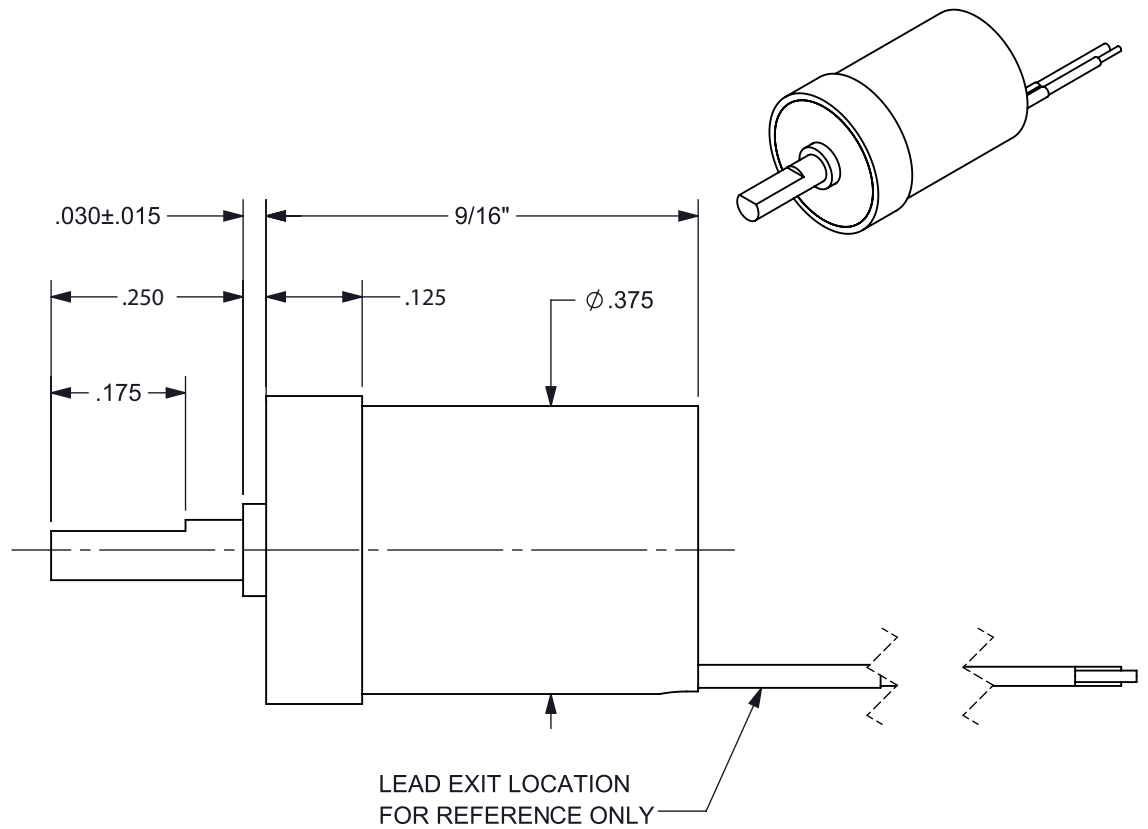


FIGURE 1



## PROPRIETARY DOCUMENT

**SPECIFICATIONS**

- |  |   |
|--|---|
| <ol style="list-style-type: none"> <li>1. PRODUCT TYPE</li> <li>2. TEMPERATURE</li> <li>3. TRAVEL</li> <li>4. ROTATION</li> <li>5. VOLTAGE</li> <li>6. COIL</li> <li>7. LEADS</li> <li>8. LEAD LENGTH</li> <li>9. HOUSING MARKING</li> <li>10. HOUSING FINISH</li> </ol> | <p>BI-STABLE SOLENOID<br/> -40°C TO +65°C OPERATING RANGE<br/> 90 ± 2° CW FROM POSITION SHOWN IN FIGURE 1<br/> CW / RED (+) BLACK (-)<br/> SEE CHART ABOVE<br/> SEE CHART ABOVE<br/> RED AND BLACK 30 ET TEFLON INSULATED WIRE PER M16878/6<br/> 12" MIN STRIPPED AND TINNED 1/4" ± 1/8"<br/> BRANDSTROM, P/N DATE CODE<br/> BLACK ANODIZE PER MIL-A-8625F, TYPE II, CLASS II</p> |
|--|---|

DIMENSION TOLERANCES UNLESS OTHERWISE SPECIFIED			
ANGLES	± 1°	2 PLACES	±.010
FRACTIONS	± 1/32	3 PLACES	±.005
1 PLACE	± .015	4 PLACES	±.0005
MATERIAL:	SEE SPECS		DRAWN: P.T.
FINISH:	SEE SPECS		CHECKED: P.T.
DATE: 02/21/18	SCALE: NONE	APPROVED: T.G.A.	
TITLE: BI-STABLE SOLENOID	DWG NO: A1267	SHEET: 1 of 1	REV:

