

DASH #	VOLATGE (V)	COIL
-1	3-5	7.3Ω
-2	12	55Ω
-3	24	360Ω

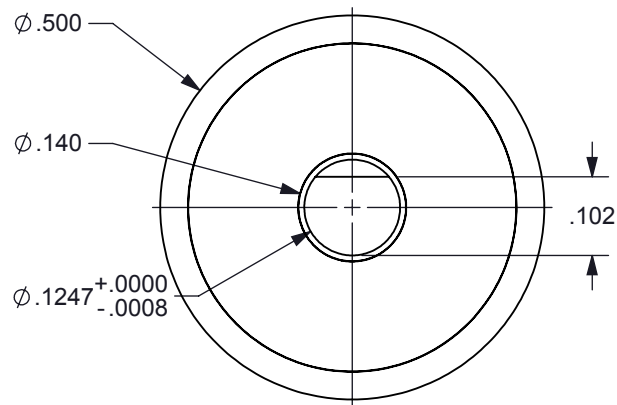
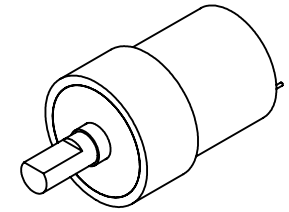
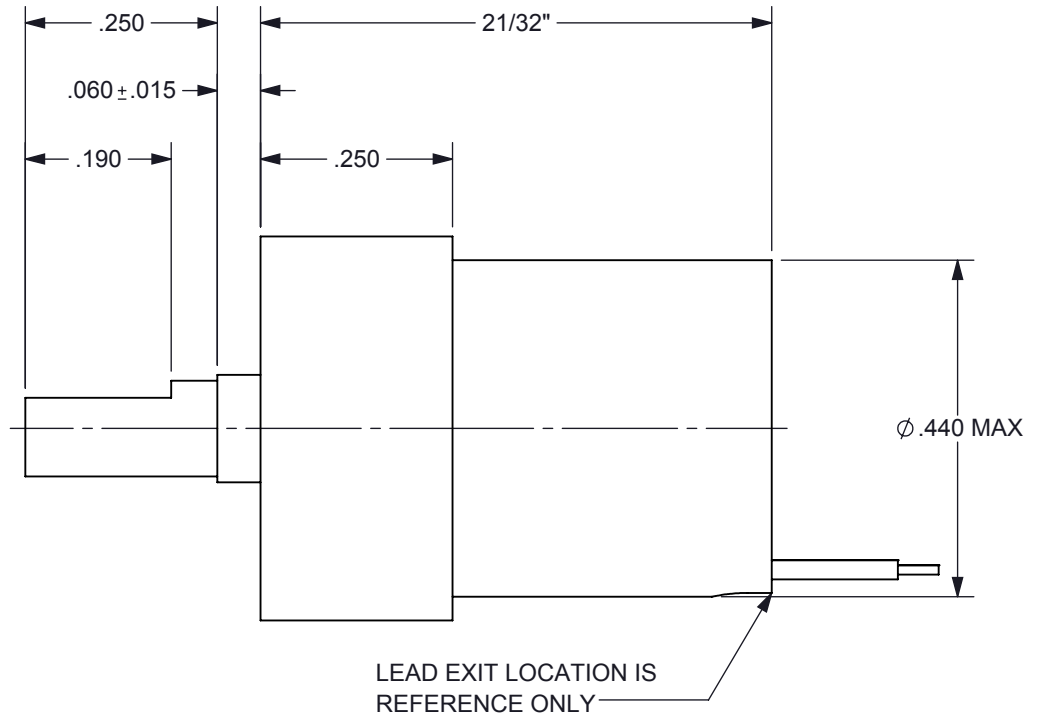


FIGURE 1



SPECIFICATIONS

- | | |
|---------------------|--|
| 1. PRODUCT TYPE | BI-STABLE SOLENOID |
| 2. TEMPERATURE | -40°C TO +71°C OPERATING RANGE |
| 3. TRAVEL | 60 ± 2° (CW) FROM POSITION SHOWN IN FIGURE 1 |
| 4. ROTATION | CW / RED (+) BLACK (-) (, CCW / RED (-) BLACK (+)) |
| 5. VOLTAGE | SEE CHART ABOVE |
| 6. COIL | SEE CHART ABOVE [RESISTANCE ± 10% @ 25°C (CLASS H)] |
| 7. LEADS | RED AND BLACK 30 ET TEFLON INSULATED WIRE PER M16878/6 |
| 8. LEAD LENGTH | 12" MIN, STRIPPED AND TINNED 1/8" ± 1/16" AT BOTH ENDS |
| 9. LEAD EXIT | LEAD EXIT TO BE FILLED WITH SILICONE ADHESIVE |
| 10. HOUSING MARKING | LASER ENGRAVE BRANDSTROM, P/N, DATE CODE |
| 11. HOUSING FINISH | BLACK ANODIZE PER MIL-A-8625F, TYPE II, CLASS II |

PROPRIETARY DOCUMENT

DIMENSION TOLERANCES UNLESS OTHERWISE SPECIFIED			
ANGLES	± 1°	2 PLACES	± .010
FRACTIONS	± 1/32	3 PLACES	± .005
	± .015	4 PLACES	± .0005
MATERIAL:	N/A		DRAWN: P.J.T.
FINISH:	N/A		CHECKED: P.T.
DATE: 3/9/16	SCALE: NONE	APPROVED: T.G.A.	
TITLE: BI-STABLE SOLENOID	DWG NO: A1264	SHEET: 1 of 1	REV:

**Brandstrom
Instruments**