

DASH #	VOLTAGE (V)	COIL
-1	3-5	7.3Ω
-2	12	55Ω
-3	24	360Ω

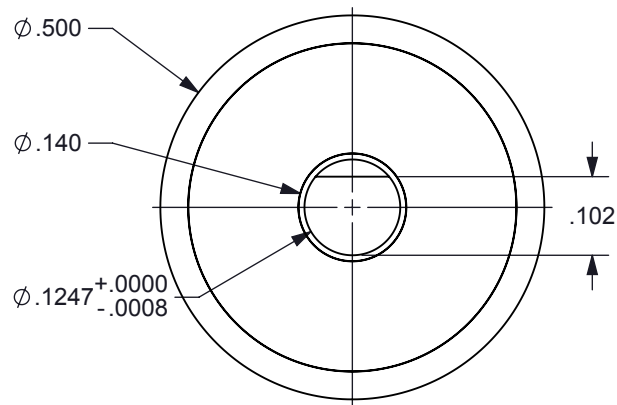
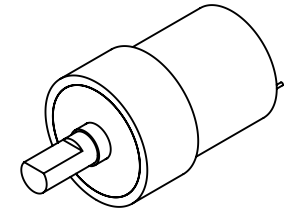
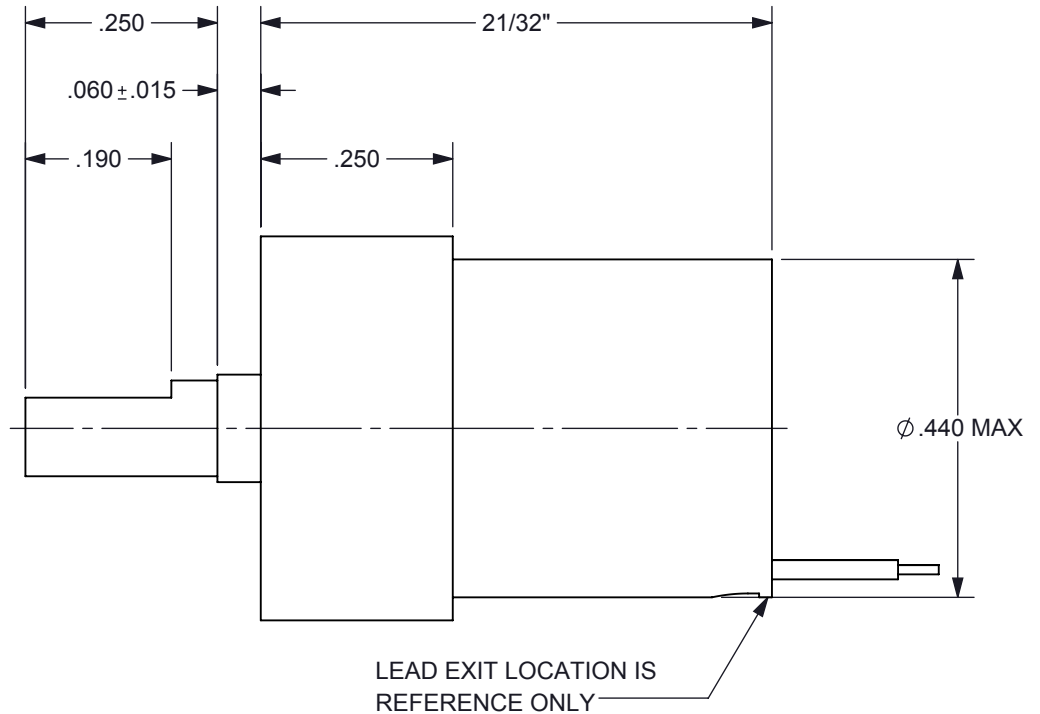


FIGURE 1



SPECIFICATIONS

1. PRODUCT TYPE	BI-STABLE SOLENOID
2. TEMPERATURE	-40°C TO +71°C OPERATING RANGE
3. TRAVEL	90 ± 2° (CW) FROM POSITION SHOWN IN FIGURE 1
4. ROTATION	CW / RED (+) BLACK (-) (, CCW / RED (-) BLACK (+)
5. VOLTAGE	SEE CHART ABOVE
6. COIL	SEE CHART ABOVE (RESISTANCE ± 10% @ 25°C (CLASS H))
7. LEADS	RED AND BLACK 30 ET TEFLON INSULATED WIRE PER M16878/6
8. LEAD LENGTH	12" MIN LONG, STRIPPED AND TINNED 1/8" ± 1/16" AT BOTH ENDS
9. LEAD EXIT	LEAD EXIT TO BE FILLED WITH SILICONE ADHESIVE
10. HOUSING MARKING	LASER ENGRAVE BRANDSTROM, P/N, DATE CODE
11. HOUSING FINISH	BLACK ANODIZE PER MIL-A-8625F, TYPE II, CLASS II

PROPRIETARY DOCUMENT

DIMENSION TOLERANCES UNLESS OTHERWISE SPECIFIED				Brandstrom Instruments		
ANGLES	± 1°	2 PLACES	± .010			
FRACTIONS	± 1/32	3 PLACES	± .005			
	± .015	4 PLACES	± .0005			
MATERIAL:	N/A		DRAWN:	P.J.T.		
FINISH:	N/A		CHECKED:	P.T.		
DATE:	3/9/16	SCALE:	NONE	APPROVED:	T.G.A.	
TITLE:	BI-STABLE SOLENOID		DWG NO:	A1263	SHEET:	1 of 1
					REV:	