

DASH No.	ROTATION ANGLE
NONE	30° ±2°
-1	20° ±2°

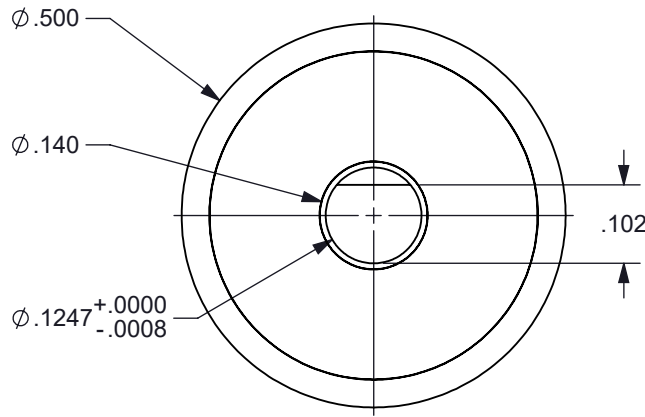
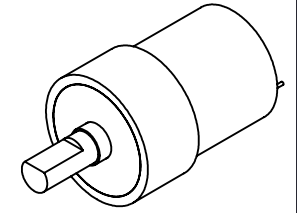
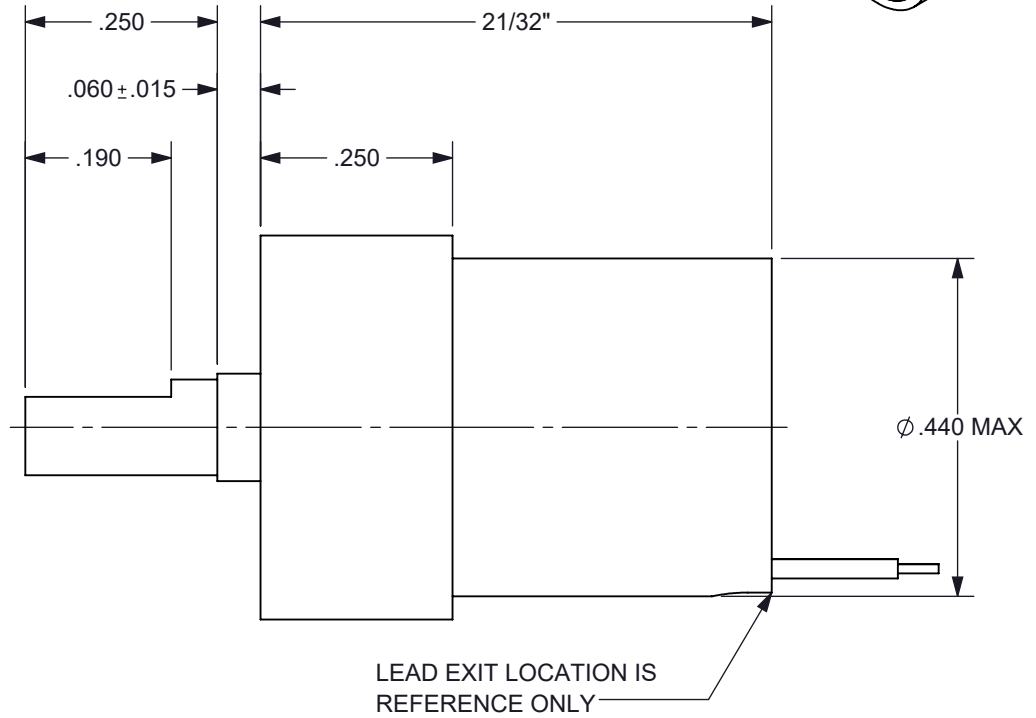


FIGURE 1



SPECIFICATIONS

- | | |
|---------------------|--|
| 1. PRODUCT TYPE | BI-STABLE SOLENOID LOW OUTGAS |
| 2. TEMPERATURE | -40°C TO +71°C OPERATING RANGE |
| 3. TRAVEL | 30 ± 2° (CW) FROM POSITION SHOWN IN FIGURE 1 |
| 4. ROTATION | CW / RED (+) BLACK (-) |
| 5. VOLTAGE | 6V VDC (PULSE FOR 50 TO 100 MS) |
| 6. COIL | 15Ω ± 10% @ 25°C CLASS H |
| 7. LEADS | RED AND BLACK 30 ET TEFLON INSULATED WIRE PER M16878/6 |
| 8. LEAD LENGTH | 12" MIN, STRIPPED AND TINNED 1/8" ± 1/16" AT BOTH ENDS |
| 9. LEAD EXIT | LEAD EXIT TO BE FILLED WITH 3M 2216 B/A GRAY EPOXY |
| 10. HOUSING MARKING | LASER ENGRAVE BRANDSTROM, P/N, DATE CODE |
| 11. HOUSING FINISH | BLACK ANODIZE PER MIL-A-8625F, TYPE II, CLASS II |

PROPRIETARY DOCUMENT

DIMENSION TOLERANCES UNLESS OTHERWISE SPECIFIED ANGLES ± 1° 2 PLACES ± .010 FRACTIONS ± 1/32 3 PLACES ± .005 1 PLACE ± .015 4 PLACES ± .0005						
MATERIAL: N/A		DRAWN: P.T.				
FINISH: N/A		CHECKED: P.T.				
DATE: 2/26/21	SCALE: NONE	APPROVED: T.G.A.				
TITLE: BI-STABLE SOLENOID		DWG NO: A1445	SHEET: 1 of 1	REV:		