

DASH #	VOLTAGE (V)	COIL
-1	5	27Ω
-2	12	100Ω
-3	24	600Ω

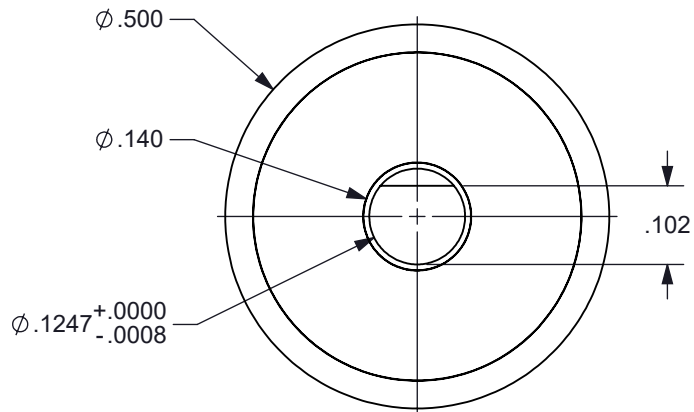
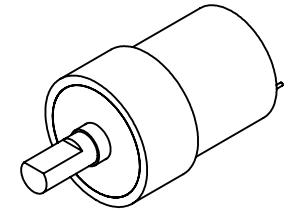
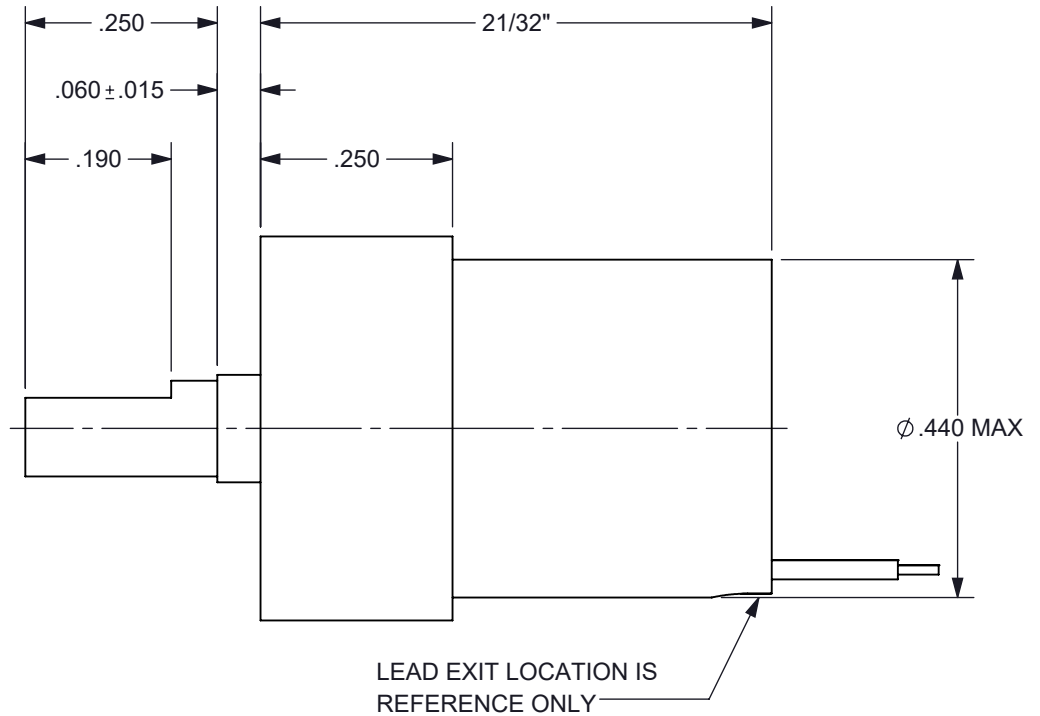


FIGURE 1



SPECIFICATIONS

- | | |
|---------------------|--|
| 1. PRODUCT TYPE | SELF-RESTORING SOLENOID, LOW OUTGAS |
| 2. TEMPERATURE | -40°C TO +71°C OPERATING RANGE |
| 3. TRAVEL | 45 ± 2° (CW) FROM POSITION SHOWN IN FIGURE 1 |
| 4. ROTATION | CW / RED (+) BLACK (-) |
| 5. VOLTAGE | SEE CHART ABOVE |
| 6. COIL | SEE CHART ABOVE [RESISTANCE ± 10% @ 25°C (CLASS H)] |
| 7. LEADS | RED AND BLACK 30 ET TEFLON INSULATED WIRE PER M16878/6 |
| 8. LEAD LENGTH | 12" MIN, STRIPPED AND TINNED 1/8" ± 1/16" AT BOTH ENDS |
| 9. LEAD EXIT | LEAD EXIT TO BE FILLED WITH GREY EPOXY 3M 2216 |
| 10. HOUSING MARKING | LASER ENGRAVE BRANDSTROM, P/N, DATE CODE |
| 11. HOUSING FINISH | BLACK ANODIZE PER MIL-A-8625F, TYPE II, CLASS II |

PROPRIETARY DOCUMENT

DIMENSION TOLERANCES UNLESS OTHERWISE SPECIFIED		Brandstrom Instruments			
ANGLES	± 1°				2 PLACES
FRACTIONS	± 1/32	3 PLACES	± .005		
1 PLACE	± .015	4 PLACES	± .0005		
MATERIAL:	N/A	DRAWN:	P.T.		
FINISH:	N/A	CHECKED:	P.T.		
DATE:	5/20/19	SCALE:	NONE		
TITLE:	SELF-RESTORING SOLENOID	APPROVED:	T.G.A.		
		DWG NO:	A1375	SHEET:	1 of 1
				REV:	