

FIGURE 1

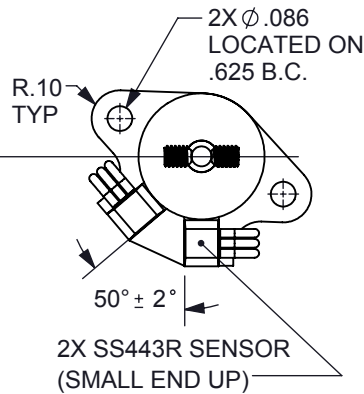
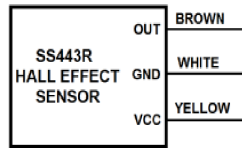
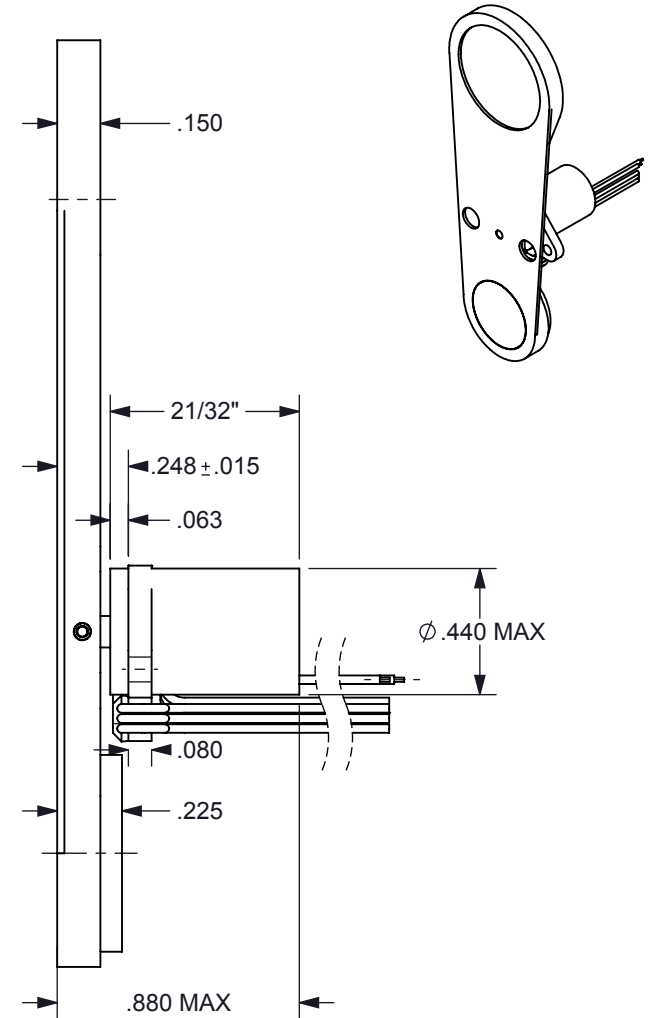


FIGURE 2



SPECIFICATIONS

- | | |
|--------------------|---|
| 1. PRODUCT TYPE | BI-STABLE SHUTTER (LOW OUTGASSING) |
| 2. TEMPERATURE | -20°C TO +65°C OPERATING RANGE |
| 3. TRAVEL | 50 ± 2° CW FROM POSITION SHOWN IN FIGURE 1 |
| 4. ROTATION | CW / RED (+) BLACK (-), CCW / RED (-) BLACK (+) |
| 5. VOLTAGE | 3.3 VDC (PULSE FOR 500 MS) |
| 6. COIL | 7.3Ω ± 4% @ 25°C (CLASS H) |
| 7. LEADS | RED AND BLACK 30 ET TEFLON INSULATED WIRE PER M16878/6 |
| 8. LEAD LENGTH | 24" ± 0.25" STRIPPED AND TINNED 1/8" ± 1/16" |
| 9. HOUSING FINISH | BLACK ANODIZE PER MIL-A-8625F, TYPE II, CLASS II |
| 10. SHUTTER FINISH | BLACK ANODIZE PER MIL-A-8625F, TYPE II, CLASS II |
| 11. HALL MAGNET | TO BE BONDED WITH 3M 2216 B/A GRAY EPOXY,
ORIENTATION: SOUTH POLE FACING HOUSING |
| 12. SENSORS | 2X (HONEYWELL P/N: SS443R) LOCATED AS SHOWN IN FIGURE 2,
BONDING SAME AS HALL MAGNET (LOCATING SLOTS IN HOUSING) |

PROPRIETARY DOCUMENT

DIMENSION TOLERANCES UNLESS OTHERWISE SPECIFIED				Brandstrom Instruments		
ANGLES	± 1°	2 PLACES	± .010			
FRACTIONS	± 1/32	3 PLACES	± .005			
	± .015	4 PLACES	± .0005			
MATERIAL:	SEE SPECS		DRAWN:	P.J.T.		
FINISH:	SEE SPECS		CHECKED:	P.T.		
DATE:	1/6/15	SCALE:	NONE	APPROVED:	T.G.A.	
TITLE:	BI-STABLE SHUTTER			DWG NO:	A1258	
				SHEET:	1 of 1	
				REV:		