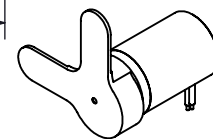
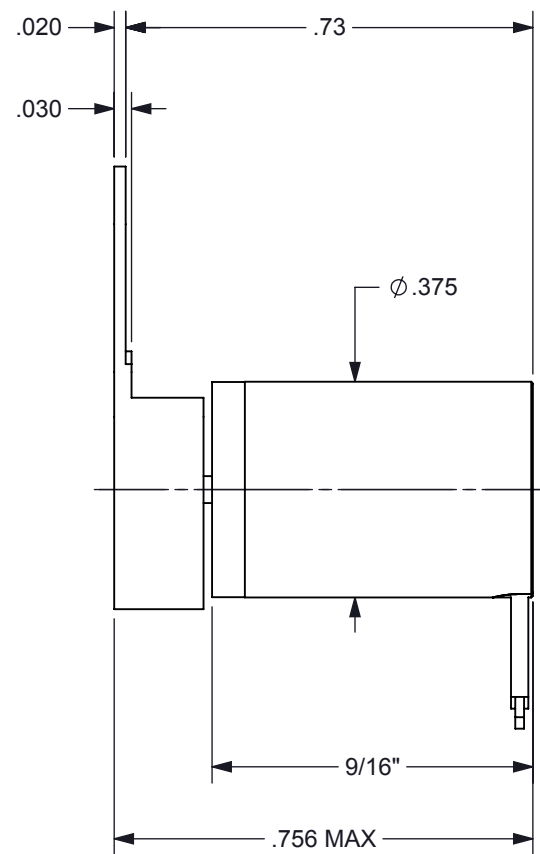


FIGURE 1



SPECIFICATIONS

1. PRODUCT TYPE	SELF RESTORING SHUTTER
2. TEMPERATURE	40°C TO +100°C OPERATING RANGE
3. TRAVEL	32.5 ± 2° CCW FROM POSITION SHOWN IN FIGURE 1
4. ROTATION	CCW / RED (+) BLACK (-)
5. VOLTAGE	5.0 VDC ± 5%
6. COIL	75Ω ± 10% @ 25°C (CLASS H)
7. LEADS	RED AND BLACK 30 ET TEFLON INSULATED WIRE PER M16878/6
8. LEAD LENGTH	6" MINIMUM
9. HOUSING FINISH	BLACK ANODIZE PER MIL-A-8625F, TYPE II, CLASS II
10. SHUTTER FINISH	BLACK ANODIZE PER MIL-A-8625F, TYPE II, CLASS II

PROPRIETARY DOCUMENT

DIMENSION TOLERANCES UNLESS OTHERWISE SPECIFIED ANGLES ± 1° 2 PLACES ± .010 FRACTIONS ± 1/32 3 PLACES ± .005 1 PLACE ± .015 4 PLACES ± .0005					
MATERIAL: N/A		DRAWN: P.T.			
FINISH: SEE NOTES 9 & 10		CHECKED: P.T. (A.E.M.)			
DATE: 05/21/15	SCALE: NONE	APPROVED: T.G.A.			
TITLE: SELF RESTORING SHUTTER		DWG NO: A1238	SHEET: 1 of 1	REV:	