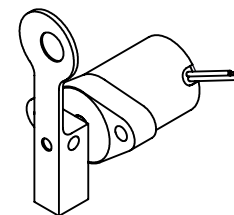
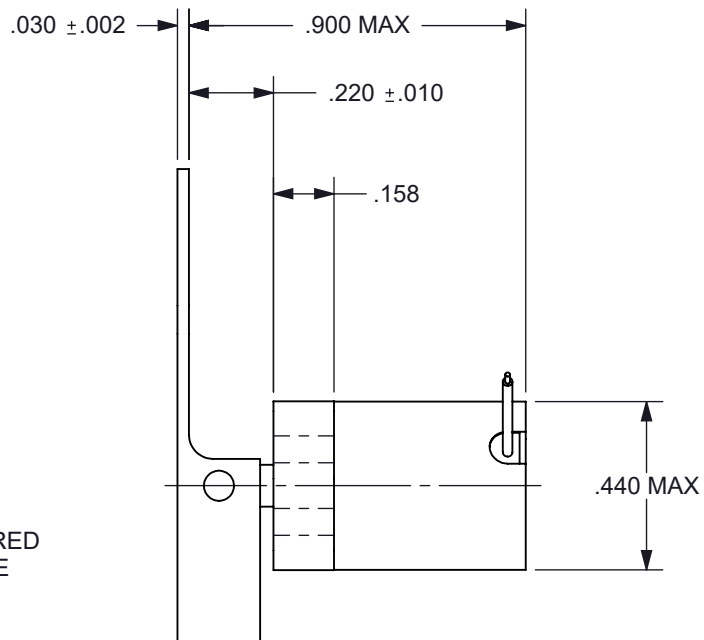


FIGURE 1



SPECIFICATIONS

- | | |
|---------------------|---|
| 1. PRODUCT TYPE | BI-STABLE SHUTTER LOW OUTGAS |
| 2. TEMPERATURE | -20°C TO +54°C OPERATING RANGE |
| 3. TRAVEL | 35 ± 2° CCW FROM POSITION SHOWN IN FIGURE 1 |
| 4. ROTATION | CW / RED (+) BLACK (-), CCW / RED (-) BLACK (+) |
| 5. VOLTAGE | 5 VDC ± 5% (PULSE FOR 50 MS) |
| 6. COIL | 12Ω ± 10% @ 25°C (CLASS H) |
| 7. LEADS | RED AND BLACK 30 ET TEFLON INSULATED WIRE PER M16878/6 |
| 8. LEAD LENGTH | 6.0" MIN., STRIPPED AND TINNED 1/8" ± 1/16" AT BOTH ENDS |
| 9. LEAD EXIT | LEAD EXIT TO BE FILLED WITH 3M 2216 B/A GRAY EPOXY ADHESIVE |
| 10. HOUSING MARKING | TO BE LASER ENGRAVED |
| 11. HOUSING FINISH | BLACK ANODIZE PER MIL-A-8625F, TYPE II, CLASS II |
| 12. SHUTTER FINISH | BLACK ANODIZE PER MIL-A-8625F, TYPE II, CLASS II |
| 13. FILTER | CUSTOMER SUPPLIED / INSTALLED |

PROPRIETARY DOCUMENT

DIMENSION TOLERANCES UNLESS OTHERWISE SPECIFIED			
ANGLES	± 1°	2 PLACES	± .010
FRACTIONS	± 1/32	3 PLACES	± .005
	± .015	4 PLACES	± .0005
MATERIAL:	N/A		DRAWN:
FINISH:	N/A		P.T.
DATE:	11/06/09	SCALE:	NONE
TITLE:	BI-STABLE SHUTTER		CHECKED:
			T.G.A.
			APPROVED:
			T.G.A.
		DWG NO:	A1074-1
		SHEET:	1 of 1
		REV:	A

**Brandstrom
Instruments**