

DASH NUMBER	SHUTTER
NONE	YES
-1	NO

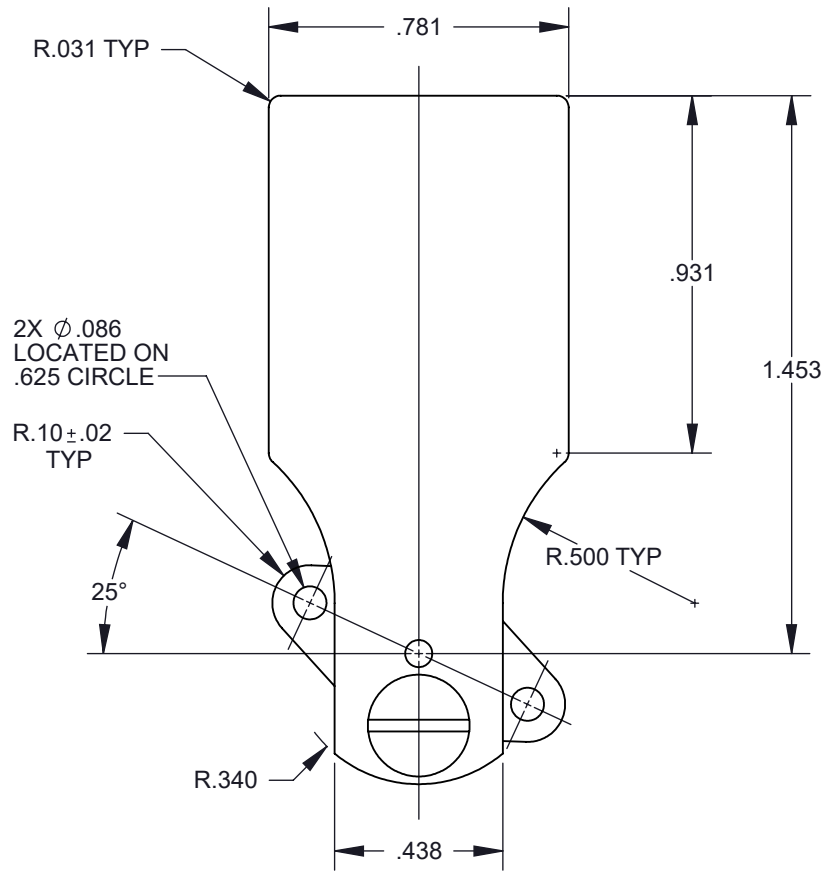
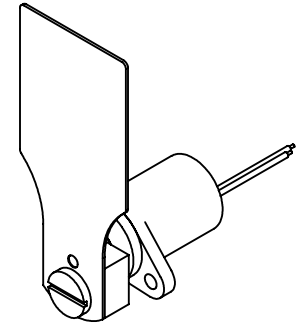
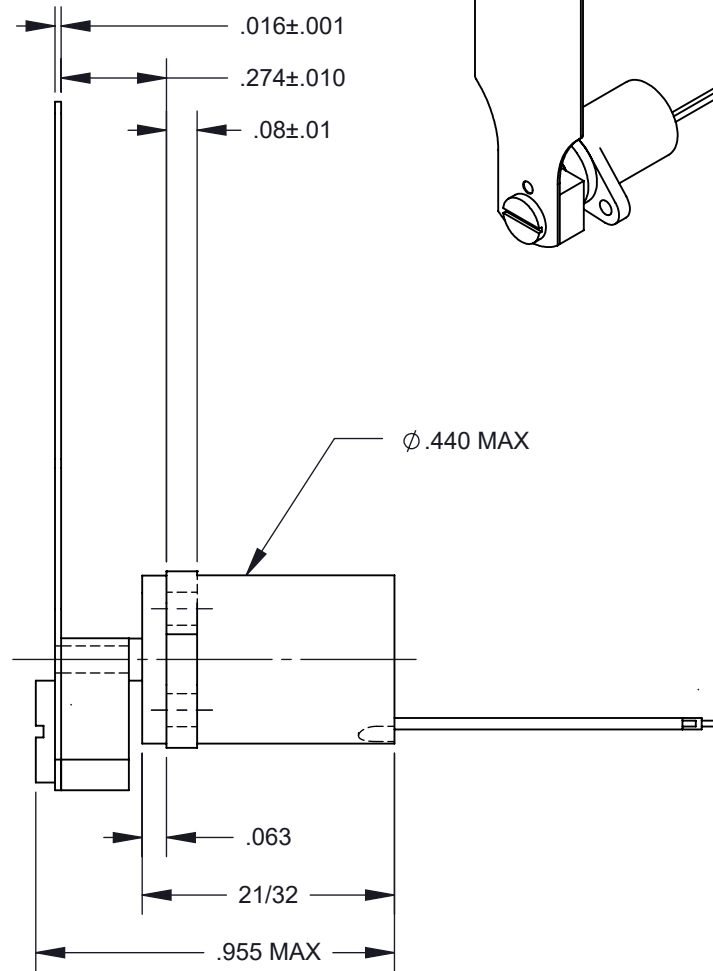


FIGURE 1



PROPRIETARY DOCUMENT

SPECIFICATIONS

- | | |
|--------------------|--|
| 1. PRODUCT TYPE | BI-STABLE SHUTTER, LOW OUTGASSING |
| 2. TEMPERATURE | -20° C TO +65° C OPERATING RANGE |
| 3. TRAVEL | 50 ± 2° CW FROM POSITION SHOWN IN FIGURE 1 |
| 4. ROTATION | CW / RED (+) BLACK (-), CCW / RED (-) BLACK (+) |
| 5. VOLTAGE | 3.3 VDC (PULSE FOR 50 MS) |
| 6. COIL | 7.3Ω ± 4% @ 25° C (CLASS H) |
| 7. LEADS | RED AND BLACK 30 ET TEFLON INSULATED WIRE PER M16878/6 |
| 8. LEAD LENGTH | 4.25" ± 0.25" STRIPPED AND TINNED 1/8" ± 1/16" |
| 9. HOUSING FINISH | BLACK ANODIZE PER MIL-A-8625F, TYPE II, CLASS II |
| 10. SHUTTER FINISH | BLACK ANODIZE PER MIL-A-8625F, TYPE II, CLASS II |

DIMENSION TOLERANCES UNLESS OTHERWISE SPECIFIED		Brandstrom Instruments	
ANGLES	± 1°		
FRACTIONS	± 1/32	3 PLACES	± .005
1 PLACE	± .015	4 PLACES	± .0005
MATERIAL:	N/A	DRAWN:	E.A.R.
FINISH:	N/A	CHECKED:	T.G.A.
DATE:	12/23/10	APPROVED:	T.G.A.
TITLE:	BI-STABLE SHUTTER	DWG NO:	A1071
		SHEET:	1 OF 1