

DASH #	VOLTAGE (V)	COIL @25°C (CLASS C)
-1	5	30Ω
-2	12	160Ω
-3	24	360Ω

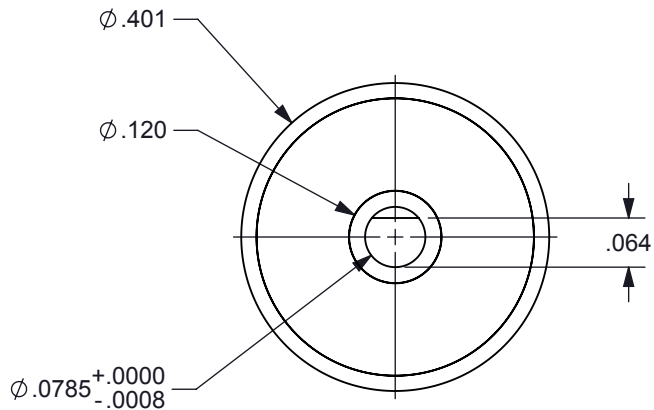
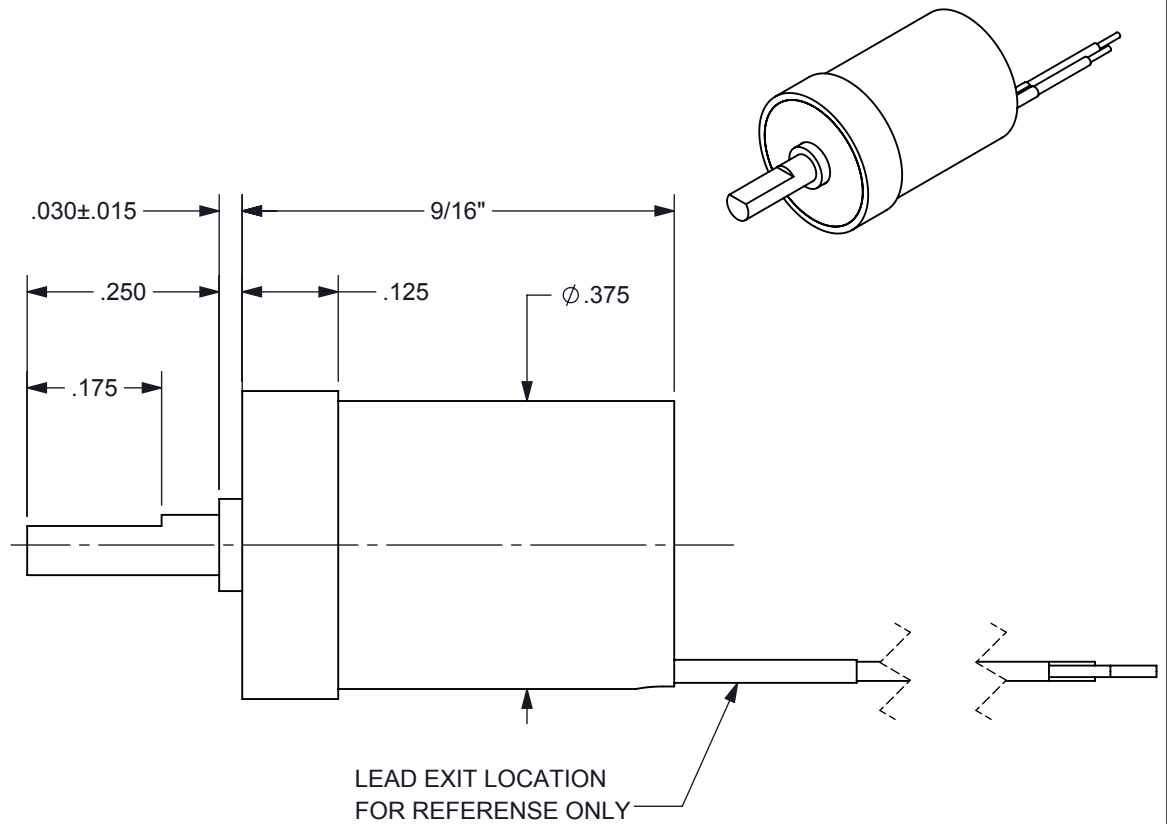


FIGURE 1



**SPECIFICATIONS**

- |                    |  |
|--------------------|--|
| 1. PRODUCT TYPE    | BI-STABLE SOLENOID                                     |
| 2. TEMPERATURE     | -40°C TO +65°C OPERATING RANGE                         |
| 3. TRAVEL          | 45 ± 2° CW FROM POSITION SHOWN IN FIGURE 1             |
| 4. ROTATION        | CW / RED (+) BLACK (-)                                 |
| 5. VOLTAGE         | SEE CHART ABOVE  |
| 6. COIL            | SEE CHART ABOVE  |
| 7. LEADS           | RED AND BLACK 30 ET TEFLON INSULATED WIRE PER M16878/6 |
| 8. LEAD LENGTH     | 12" MIN STRIPPED AND TINNED 1/4" ± 1/8"                |
| 9. HOUSING MARKING | BRANDSTROM, P/N DATE CODE                              |
| 10. HOUSING FINISH | BLACK ANODIZE PER MIL-A-8625F, TYPE II, CLASS II       |

**PROPRIETARY DOCUMENT**

DIMENSION TOLERANCES UNLESS OTHERWISE SPECIFIED			
ANGLES	± 1°	2 PLACES	±.010
FRACTIONS	± 1/32	3 PLACES	±.005
	± .015	4 PLACES	±.0005
MATERIAL:	SEE SPECS	DRAWN:	P.T.
FINISH:	SEE SPECS	CHECKED:	C.N.M.
DATE:	04/07/14	SCALE:	NONE
		APPROVED:	T.G.A.
TITLE:	BI-STABLE SOLENOID	DWG NO:	A1269
		SHEET:	1 of 1
		REV:	A

**Brandstrom  
Instruments**