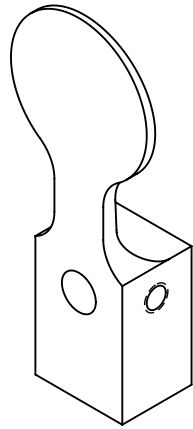
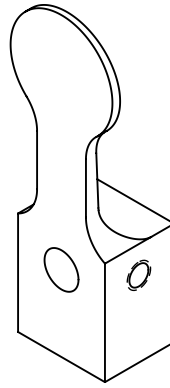


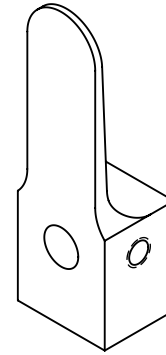
D1950-1
D1950-2



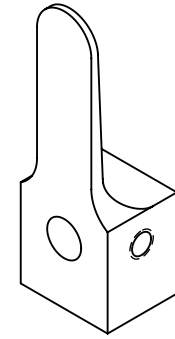
D1949-1
D1949-2



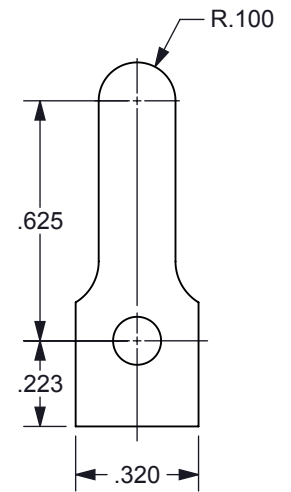
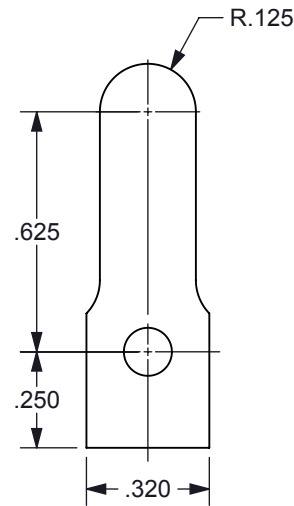
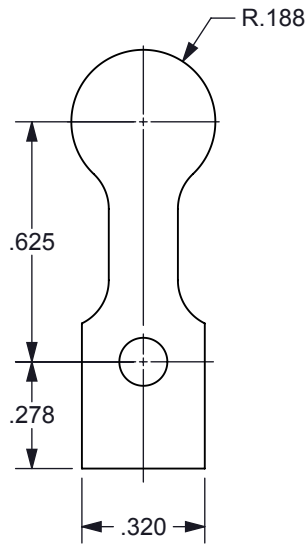
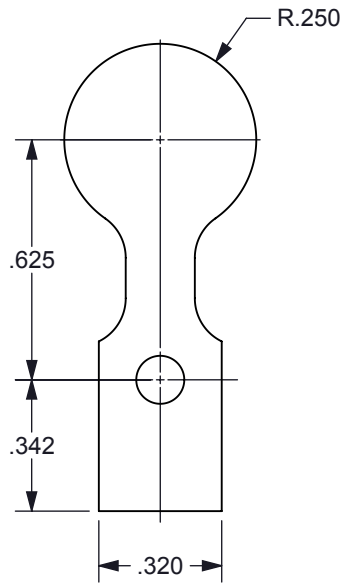
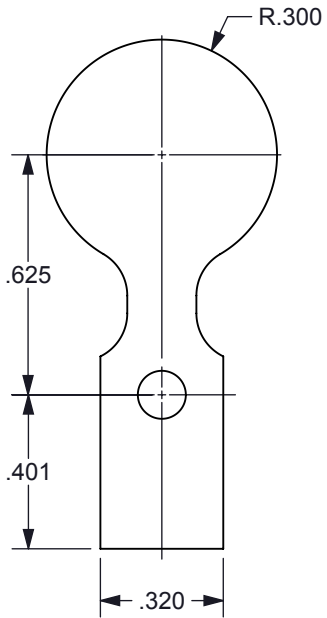
D1948-1
D1948-2



D1947-1
D1947-2



D1946-1
D1946-2



PROPRIETARY DOCUMENT

NOTE FOR FINISH:

1) NUMBER SUFFIX -1: BLACK ANODIZE PER MIL-A-8625F, CLASS II, TYPE II

2) NUMBER SUFFIX -2 : NONE

DIMENSION TOLERANCES UNLESS OTHERWISE SPECIFIED								
ANGLES	± 1°	2 PLACES	±.010					
FRACTIONS	± 1/32	3 PLACES	±.005					
1 PLACE	± .015	4 PLACES	±.0005					
MATERIAL:	6061-T6 ALUMINUM		DRAWN:	P.T.				
FINISH:	SEE NOTES		CHECKED:	P.T.				
DATE:	6/1/16	SCALE:	NONE	APPROVED:	T.G.A.			
TITLE:	ACCESSORY SHUTTERS		DWG NO:	BI-A-S	SHEET:	1 of 1	REV:	

**Brandstrom
Instruments**