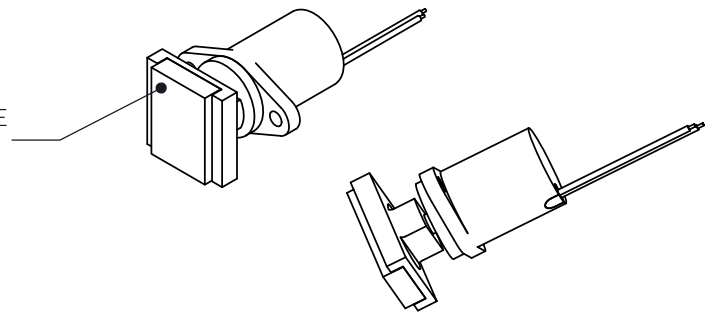


PROPRIETARY DOCUMENT
SIMPLIFIED DRAWING
SEE NOTE 7

CUSTOMER SUPPLIED OPTICAL PIECE
10mm X 14mm X 3mm



NOTES:

1. PRODUCT TYPE: BISTABLE SOLENOID ASSEMBLY.
2. OPERATION: SHOWN MAGNETICALLY LATCHED IN POSITION #1, OPTICAL PIECE SHALL ROTATE $40 \pm 2^\circ$ CW AND LATCH IN POSITION #2 WHEN SUBJECTED TO A 50 MILLISECOND PULSE AT $3 \pm .3$ VDC. OPTICAL PIECE SHALL RETURN TO POSITION #1 AND LATCH WHEN SUBJECTED TO A REVERSE POLARITY PULSE OF EQUAL MAGNITUDE.
3. COIL: RESISTANCE SHALL BE $7.3 \text{ OHMS} \pm 4\%$ @ 25°C . LEADS SHALL BE RED AND BLACK TEFLON INSULATED WIRE PER M16878 TYPE 30 ET. LEAD LENGTH TO BE 4.0" TO 4.5", STRIPPED AND TINNED $1/8" \pm 1/16"$ BOTH ENDS.
4. POLARITY: CW / RED (+) BLK (-), CCW / RED (-) BLK (+).
5. BLACK ANODIZE HOUSING AND GLASS MOUNT.
6. OPTICAL PIECE TO BE HELD IN PLACE WITH NON HEAT CURED 3M 2216 B/A GREY EPOXY ADHESIVE.
7. THIS DRAWING PROVIDES GENERAL PRODUCT INFORMATION. FOR COMPLETE TECHNICAL DETAILS PLEASE CONTACT US AT (203) 544-9341 OR VIA EMAIL AT SALES@BRANDSTROMINSTRUMENTS.COM.

COPYRIGHT © 2010 BRANDSTROM INSTRUMENTS, INC. ALL RIGHTS RESERVED.

DIMENSION TOLERANCES UNLESS OTHERWISE SPECIFIED			Brandstrom Instruments			
ANGLES	$\pm 1^\circ$	2 PLACES $\pm .010$				FRACTIONS
MATERIAL:	N/A		DRAWN:			
FINISH:	SEE NOTE #5		CHECKED:			
DATE:	SCALE:	NONE	APPROVED:			
TITLE:	BISTABLE SOLENOID ASSEMBLY		DWG NO:	A1054	SHEET: 1 of 1	REV: B